
EGT1/4RSEM4 (ORDER NO. 033982)

Precision single hole fixing limit switch EGT1/4

- ▶ With reed contact
- ▶ Plunger material stainless steel
- ▶ Any installation orientation



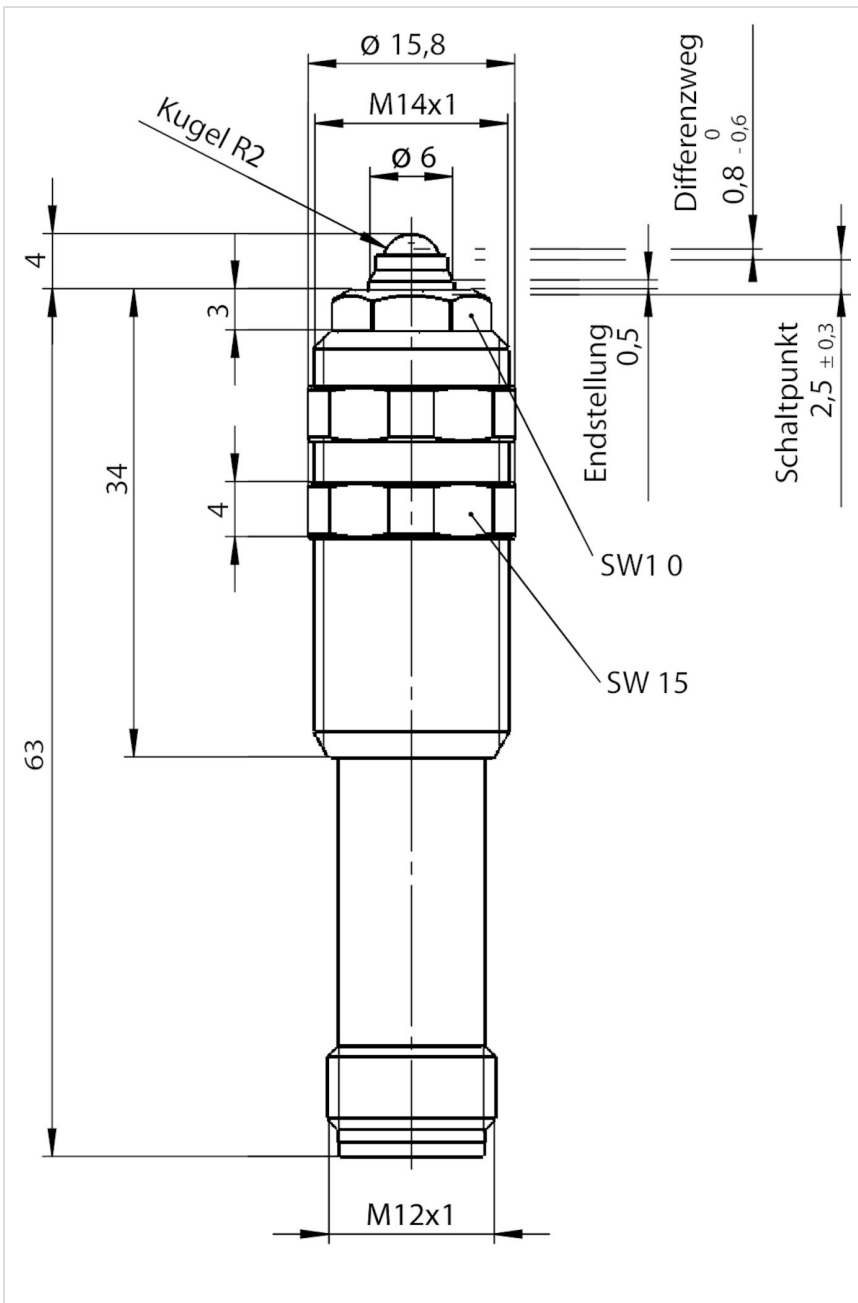
Description

Switching element

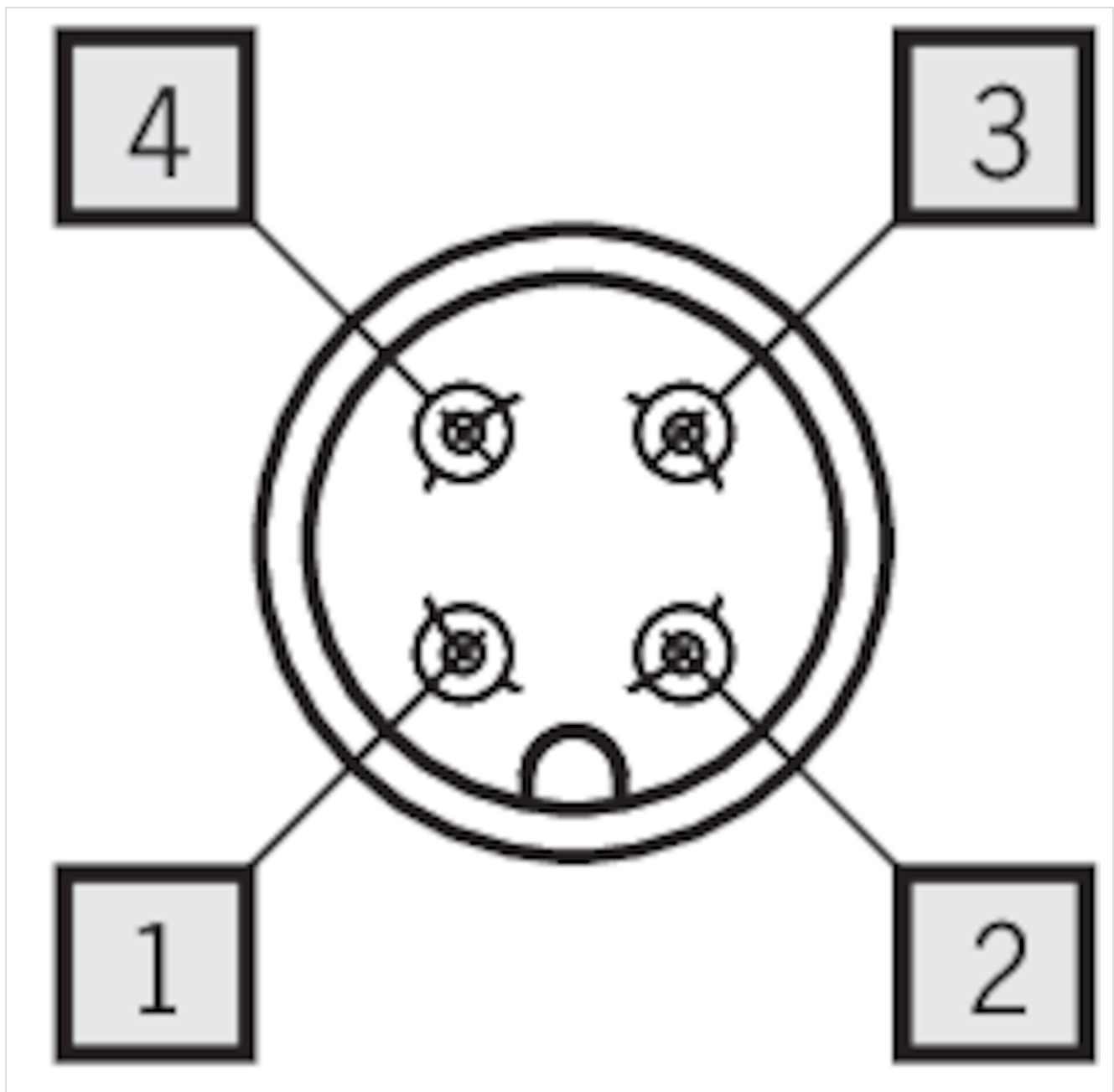
Reed contact, 1 NC contact

⚠ Never switch incandescent lamps. Not even for test purposes. Single hole fixing limit switches must not be used as an end stop.

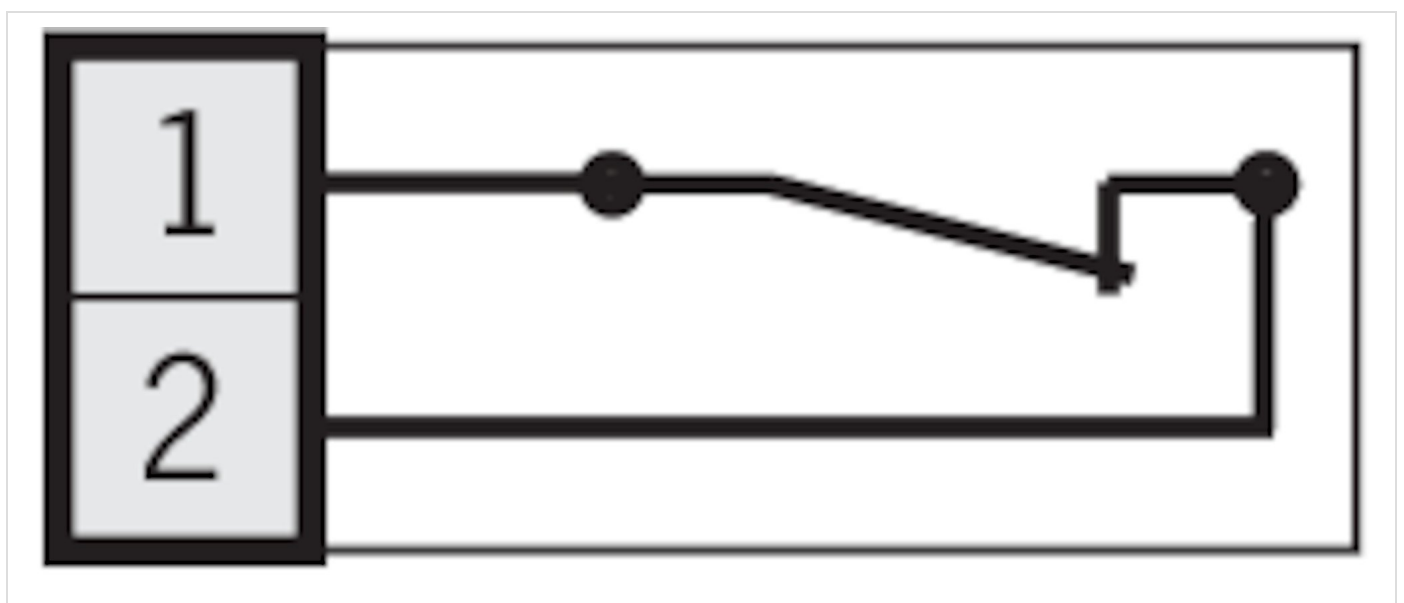
Dimension drawing



Wiring diagram



Wiring diagram



Technical data

Approvals



Mechanical values and environment

Design	Thread M14 x 1
Housing material	
	Sleeve Brass, nickel-plated
	Threaded section Stainless steel
Ambient temperature	-25 ... 80 °C
Degree of protection	IP67 (Mating connector inserted and screwed tight.)
Mechanical life	30 x 10 ⁶
Contact material	Rhodium
Switching principle	Reed contact
Repeat accuracy (absolute)	±0,01 mm (On axial actuation in the retracted state after approx. 2000 operating cycles)
Installation orientation	Any
Number of NC contacts	1
Connection	Plug connector M12 (4-pin)
Approach speed	max.8 m/min
Actuating element	Ball plunger (Short)
Actuating force	
	Approx. 16 N

Electrical connection ratings

Utilization category acc. to EN 60947-5-1	
	DC-13 0.3A 24V
	AC-12 0.3A 30V
Short circuit protection according to IEC 60269-1	0.4A gG
Rated insulation voltage U _i	50 V
Switching voltage	
	min. 1 V
Switching current	
	Min. at 24V 1 mA

Accessories

Connection material

Plug connector M12



035613
C-M12F04-04X034PU05,0-GA-035613

- ▶ M12 female plug, 4-pin
- ▶ Straight plug connector
- ▶ PUR cable
- ▶ Halogen-free
- ▶ Cable length 5 m
- ▶ With flying lead



035618
C-M12F04-04X034PU05,0-GA-035618

- ▶ M12 female plug, 4-pin
- ▶ Angled plug connector
- ▶ PUR cable
- ▶ Halogen-free
- ▶ Cable length 5 m
- ▶ With flying lead



041091
C-M12F04-04X034PU05,0-GA-041091

- ▶ Cores color-coded
- ▶ M12 female plug, 4-pin
- ▶ Angled plug connector
- ▶ PUR cable
- ▶ Halogen-free
- ▶ Cable length 5 m
- ▶ With flying lead
- ▶ Cores color-coded

Contacts

🏠 EUCHNER GmbH + Co. KG
Kohlhammerstraße 16
70771 Leinfelden-Echterdingen

☎ +49 711 7597-0

📠 +49 711 753316

✉ info(at)euchner.de